



Hidden Frost Top

Item #	Frost Zone Dimensions	Voltage
SS-FT-2422	21.6" x 19.6"	110-120
SS-FT-3622	33.6" x 19.6"	110-120
SS-FT-4822	45.6" x 19.6"	110-120
SS-FT-6022	57.6" x 19.6"	110-120
SS-FT-7222	69.6" x 19.6"	208-240

Note: Custom options available

Description:

Spring USA's Hidden Frost Tops help keep items chilled without the use of ice packs. No need to replenish ice in the middle of service or worry about messy puddles to clean from melted ice. Frost Tops are a clean, reliable source for keeping cold food or drink cold. Hidden Frost Tops make the desired surface area multifunctional. When in use, the surface area is cold but when turned off, the surface area is at ambient temperature and clean of any Frost Top equipment, ready to use for the next task. Made with stainless steel and fully sealed for efficiency.

Standard Warranty:

- One year, parts (standard factory warranty from condenser manufacturer)

Agency Listings:

- NSF and UL certified custom fabricating manufacturer





Project _____
 Item # _____
 Quantity _____

Hidden Frost Top

Construction & Performance Features:

- 18-gauge, 304 stainless steel housing
- Fully insulated housing with 2" polystyrene for efficiency and energy savings
- One-piece construction
- Fully welded and sealed with high strength silicone sealant
- 1" flanged perimeter for easy mounting
- Digital thermostat
- 16-gauge, stainless steel condenser base
- 1-1/4" angle iron frame condenser housing
- Hermetically sealed compressor with 404-a refrigerant
- Thermostatic expansion valve with drier and sight glass for easy service
- 6' power cord with plug
- Power ON/OFF switch
- Compatible with 1/4" to 1" countertop material

Available Accessories/Alternative Configurations:

- Five-year extended warranty from manufacturer
- Remote ON/OFF switch
- Remote condenser operation with TXV valve and (2) 3/8" diameter refrigerator lines; 110-120 V, 60 Hz condenser

Frost Zone	Remote Condenser	
	L x W x H	Amps
21.6" x 19.6"	16" x 11.5" x 8.9"	5.7
33.6" x 19.6"	16" x 11.5" x 8.9"	8.5
45.6" x 19.6"	18.4" x 14" x 11.1"	10.1
57.6" x 19.6"	17.4" x 13.5" x 11.8"	14.0
69.6" x 19.6"	17.4" x 13.5" x 11.8"	14.0

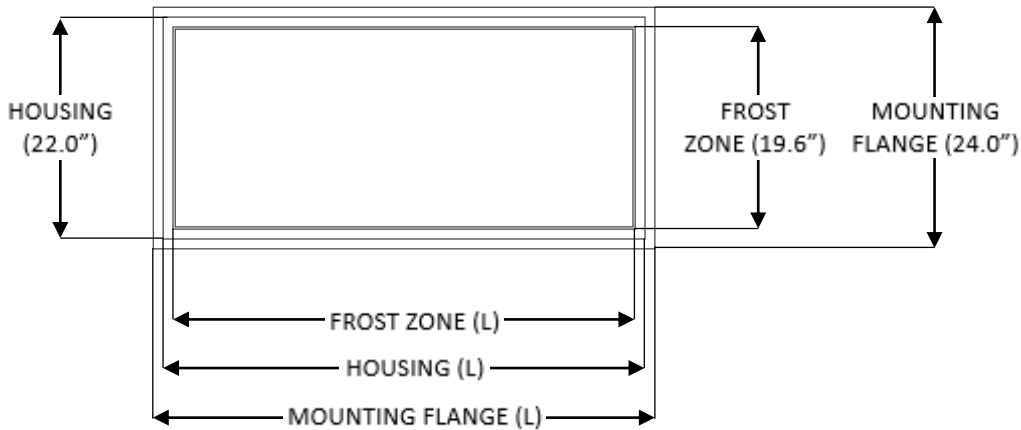
Electrical Requirements:

Item #	Voltage	Phase	Hz	W	Amps	Plug	BTU/HR @ -15F
SS-FT-2422	110-120	1	60	670	6.1	NEMA 5-15P	720
SS-FT-3622	110-120	1	60	920	8.4	NEMA 5-15P	1000
SS-FT-4822	110-120	1	60	1350	12.3	NEMA 5-15P	1500
SS-FT-6022	110-120	1	60	1380	12.6	NEMA 5-15P	1900
SS-FT-7222	208-240	1	60	1850	8.9	NEMA 6-20P	2700

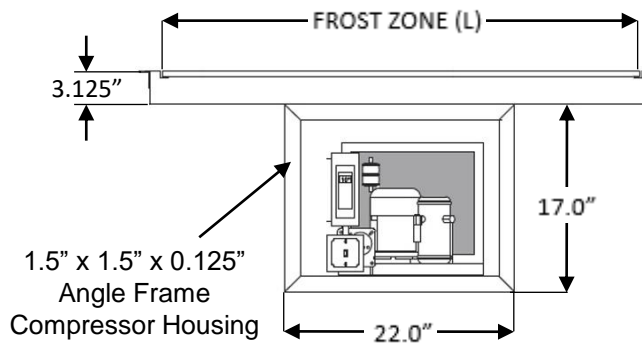
Hidden Frost Top

Key Dimensions:

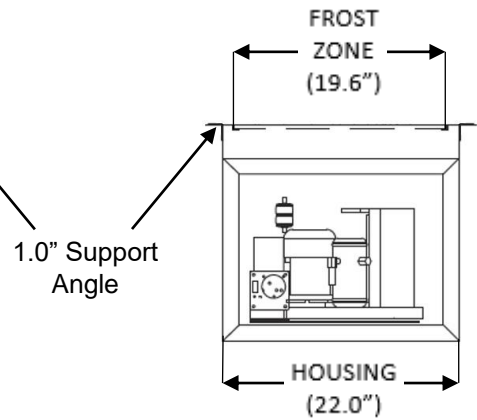
TOP VIEW



FRONT VIEW



SIDE VIEW



Item #	Frost Zone (L)	Housing (L)	Mounting Flange (L)
SS-FT-2422	21.6"	24.0"	26.0"
SS-FT-3622	33.6"	36.0"	38.0"
SS-FT-4822	45.6"	48.0"	50.0"
SS-FT-6022	57.6"	60.0"	62.0"
SS-FT-7222	69.6"	72.0"	74.0"



Project _____

Item # _____

Quantity _____

Hidden Frost Top

Notes & Conditions:

1. Hidden Frost Top units must be installed in a base cabinet or display pedestal by a qualified contractor.
2. Direction of airflow must be verified when order placed.
3. Ensure that you have dedicated power wherever you are planning to use your Hidden Frost Top. Refer to the manual for detailed instructions regarding operation.
4. Ensure the unit has proper ventilation at all times so it does not overheat.
5. Not recommended for use with marble.